

<https://cecs.wright.edu/~pmateti/Courses/730/>

RPC Marshalling of Linked Data Structures

```

typedef struct List {
    int value;
    struct List * next;
} List;

typedef struct Tree {
    int value;
    List * ptrtoint;
    struct Tree * left;
    struct Tree * right;
} Tree;

foo(in List * a, in int b, in Tree * c, out float * d);

```

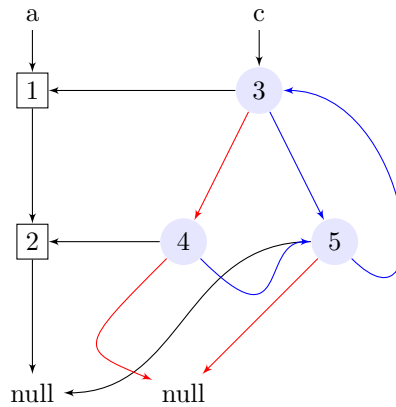


Figure 1: Example Data Structure foo(a, b, c, d) [Must we have two null-s?]

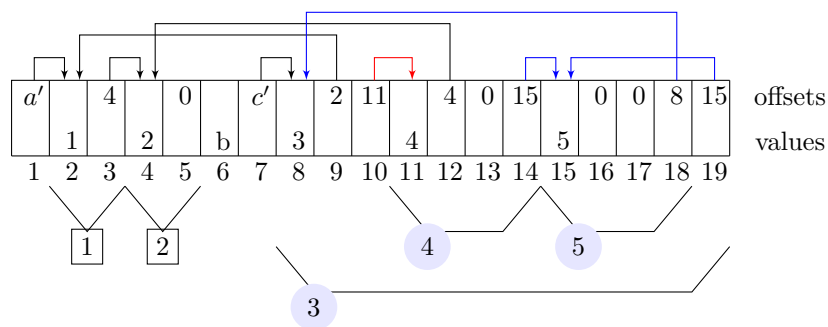


Figure 2: DFS Marshalling the in-Parameters of foo

(Taken from a research paper.)